

DESCRIPTION

1/4 λ wide-band antenna for base station service covering the frequency range of 380-480 MHz. It has been developed according to the most modern technologies to assure a perfect protection against the worst atmospheric climates and to get the best performance. It is entirely made of aluminium to assure strength and robustness and its radial whip is earthed.

SPECIFICATIONS

Electrical Data

Type : 1/4 λ Ground Plane Large Band
 Frequency Range : 380-480 MHz @ SWR \leq 1.7
 Impedance : 50 Ω
 Radiation (H-plane) : 360° omnidirectional
 Radiation (E-plane) : Beamwidth @ -3 dB = 80°
 Radiation Angle : 0°
 Polarization : Linear Vertical
 Gain : 0 dBd - 2.15dBi
 Max Power (CW) @ 30° C : 300 Watts
 Grounding Protection : All metal parts are DC-grounded, the inner conductor shows a DC-short

Connector type
 GP 160 LB - U : UHF Female with gold plated central pin
 GP 160 LB - N : N Female with gold plated central pin and PTFE insulator

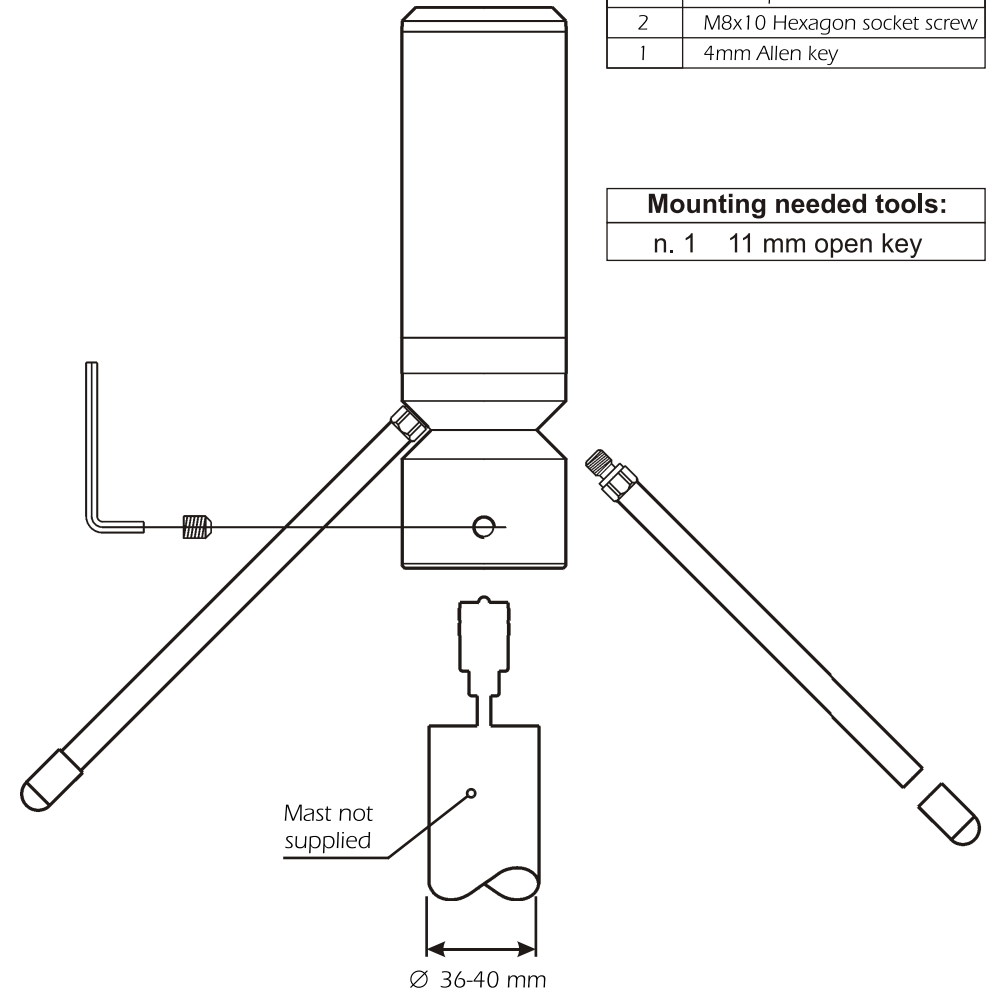
Mechanical Data

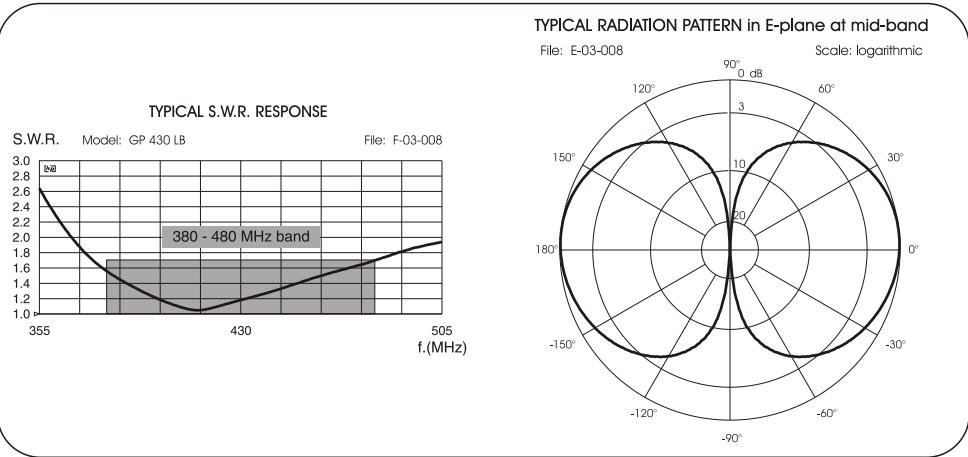
Material : Anodized Aluminium, Nylon, Stainless Steel
 Wind Load / Resistance : 18N @ 150 Km/h / 180 Km/h
 Wind Surface : 0.02 m²
 Height (approx.) : 295 mm
 Weight (approx.) : 830 gr
 Radial Length (approx.) : 200 mm
 Mounting Mast : \varnothing 36-40 mm

MOUNTING INSTRUCTIONS

Part list	
Q.ty	Description
1	Main radiator with connector
3	\varnothing 10 mm Aluminium radials
3	PVC cap for aluminium radials
2	M8x10 Hexagon socket screw
1	4mm Allen key

Mounting needed tools:	
n. 1	11 mm open key





GP 430 LB
UHF Base Station Antenna 380-480 MHz

OPTIONAL FT-2 FIXING BRACKET

