

SPO 70 cm Series 8 dBi

Sirio Professional Omni

UHF Base Station Antennas 380-470 MHz

DESCRIPTION: New series of **wide band** omnidirectional base station antennas for UHF band suitable for marine service too. The fiberglass protection radome and the anodized aluminium parts guarantee robustness and long life to all the SPO-antennas series. They are supplied with two strong extruded aluminium brackets and stainless steel hardware for a good installation on the mast.

Electrical Data

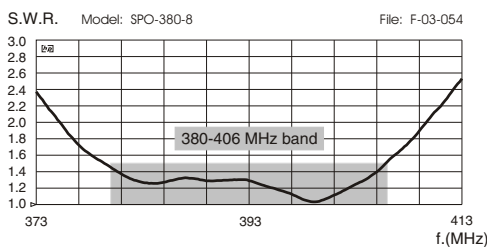
Model	SPO 380-8	SPO 400-8	SPO 420-8	SPO 440-8
Type	Colinear			
Frequency Range	380-406 MHz @ SWR 1.5	400-430 MHz @ SWR 1.5	420-450 MHz @ SWR 1.5	440-470 MHz @ SWR 1.5
Impedance	50			
Radiation (H-plane)	360° Omnidirectional			
Radiation (E-plane)	Beamwidth @ -3dB = 14°			
Radiation angle deg.	0°			
Polarization	Linear Vertical			
Gain	6 dBd - 8.15 dBi			
Max Power	75 Watts (CW) @ 30°C ambient			
Grounding Protection	All metal parts are DC-grounded, inner conductor shows a DC short			
Connector	N-female, with rubber protection cap			

Mechanical Data

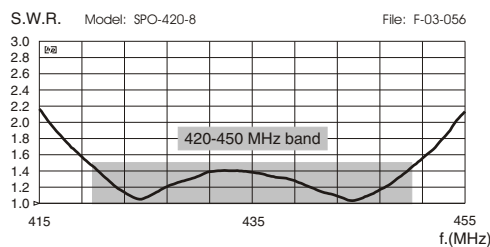
Materials	White fiberglass radome 28.6 mm, anodized 6063-T5 aluminium, brass, stainless steel, copper, EPDM rubber.			
Wind Load at 150 km/h	104 N	104 N	98 N	93 N
Wind Resistance	150 Km/h			
Wind Surface	0.089 m ²	0.089 m ²	0.083 m ²	0.078 m ²
Operatin temperature	-40°C to + 80°C			
Height (approx.)	2940 mm	2940 mm	2740 mm	2590 mm
Weight (approx.)	2040 gr	2020 gr	1935 gr	1850 gr
Mounting Mast	Side mast with "V" bolt, 35-54 mm			



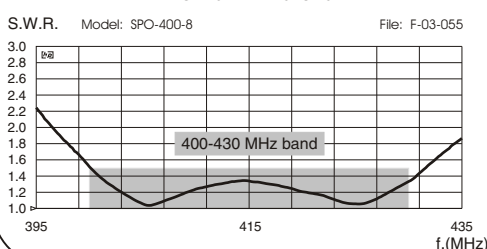
TYPICAL S.W.R. RESPONSE



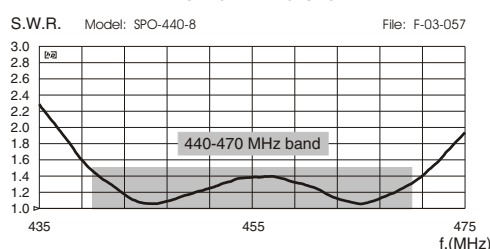
TYPICAL S.W.R. RESPONSE



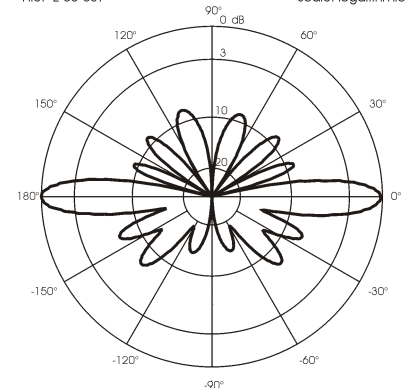
TYPICAL S.W.R. RESPONSE



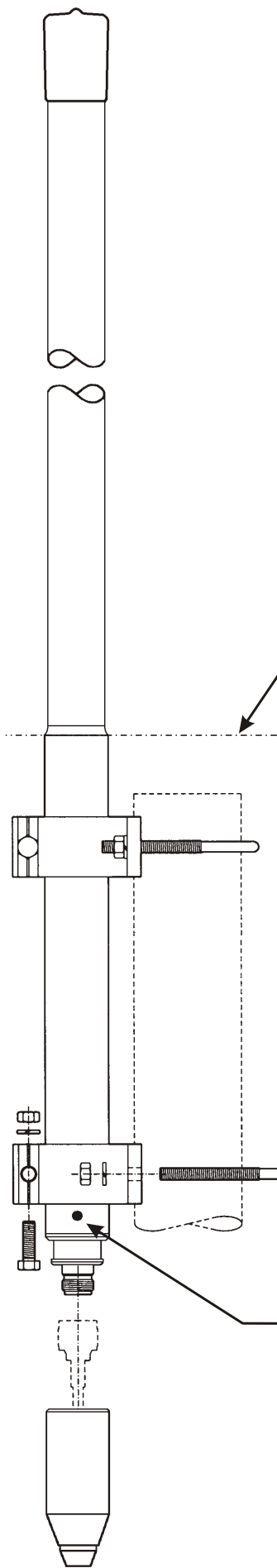
TYPICAL S.W.R. RESPONSE



TYPICAL RADIATION PATTERN in E-plane at mid-band
File: E-03-057 Scale: logarithmic



MOUNTING INSTRUCTIONS



ATTENTION!
The mounting mast does not have to be higher of the aluminium tube

ATTENTION!
Leave the drainage hole uncovered

Fixing bracket:

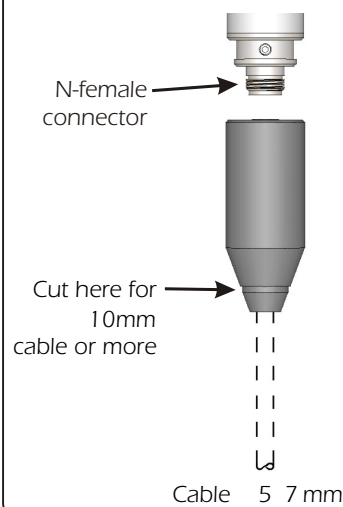


Fixing bracket part list

Q.ty	Description
2	Extruded aluminium bracket
2	M6x188 V-bolt
2	M6x20 Exagonal head screw
6	M6 Spring lock washer
6	M6 Hexagonal nut
Materials:	extruded aluminum
Hardware:	stainless steel
Dimensions :	80 x 76 x 25 mm
Weight:	220 g
Re-order code: SA104	

Connector protection cap

Re-order code: TE06416



HI-QUALITY ANTENNAS MADE IN ITALY

